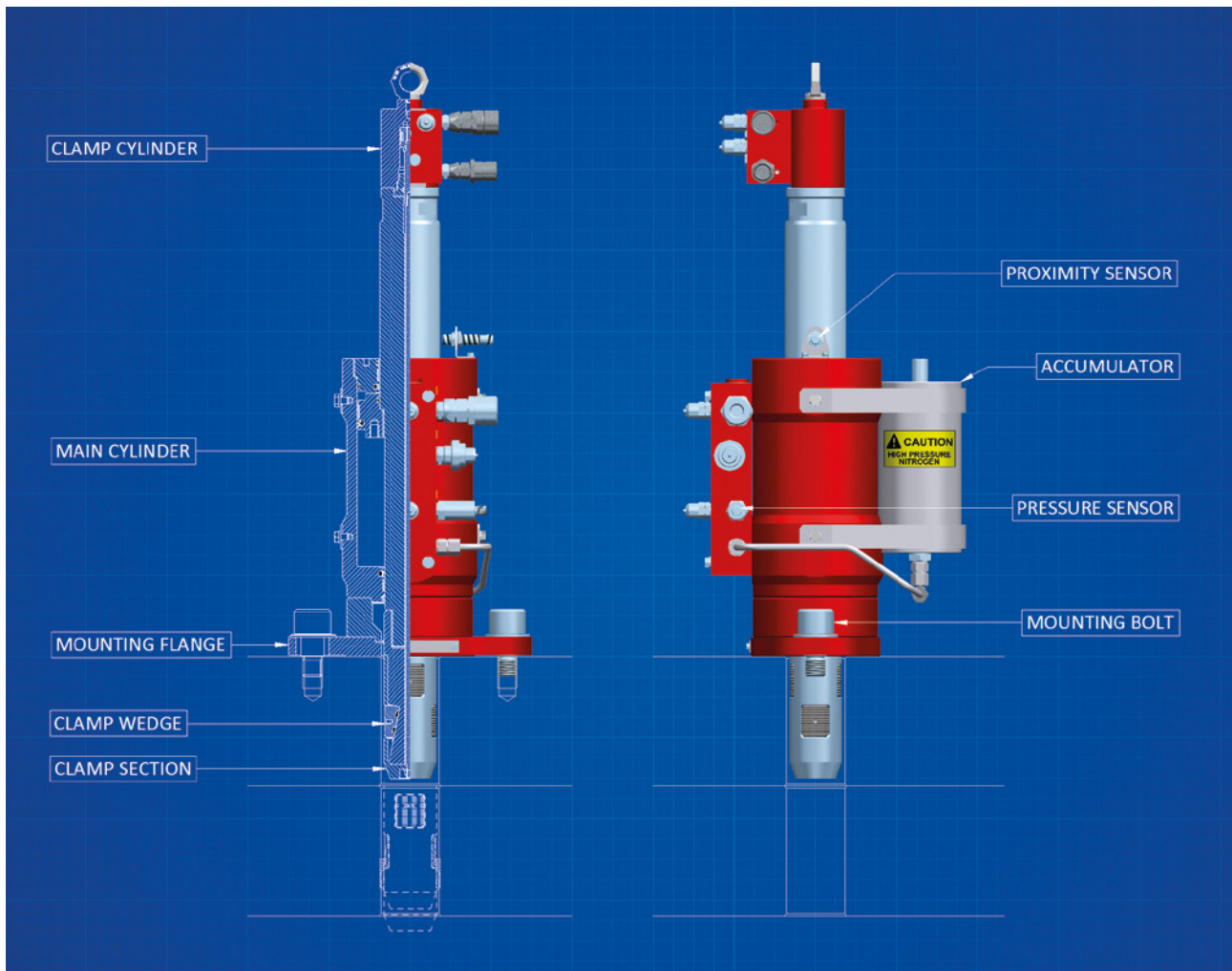


## FLANGE CLAMP TOOL

The Flange Clamp Tool (FCT) is designed by IQIP to create a temporary connection between two flange structures. The tool is remotely operated by radio control and has a fail safe system engagement. The FCT is multifunctional and is beneficial to safety during on- and offshore operations:

It has successfully been used in offshore wind projects as a smart solution to temporarily secure wind turbines without the necessary presence of personnel within the wind turbine.

# FLANGE CLAMP TOOL



Flange Clamp Tools are used to temporarily secure the axial connection between the flanges of tower and substructure of a wind turbine generator prior and during the installation of permanent bolting. After installation of the majority (or all) of the installation bolts, all FCTs are removed.

A FCT system consists of a predetermined number of preinstalled Flange Clamp Tools, preferably equally divided over the circumference of the WTG tower flange. Each system is connected to a Termination Panel and operated / controlled by means of a remote HPU which is connected to a Termination Panel by means of an Umbilical.

## FUNCTIONALITIES

Each FCT consists of two separate double acting cylinders which have the following functionalities:

- 1 To extend and retract the internal clamp section (into / from hole on substructure flange);
- 2 To clamp and release the internal clamp;
- 3 To pull and release the entire Flange Clamp Tool.

Actions 1 and 3 are performed by the Main Cylinder. Action 2 is performed by the Internal Clamp Cylinder.

## SPECIFICATIONS

Capacities up to 60t

- Remotely operated
- Failsafe principle
- Complete system includes:
  - Termination Panels, HPU, Control Unit and Umbilical Reel
- Available for purchase and rental

## MORE INFORMATION?

Interested in our Flange Clamp Tool and curious about its possibilities?

Please contact us at [info@iqip.com](mailto:info@iqip.com) for extra information. Visit [iqip.com](http://iqip.com) to find out about IQIP's other innovative offshore tools.